

**AKIRA**  
makes life better

---

# Air Conditional Service Manual



Большая библиотека технической документации

<https://splitsystema48.ru/instrukcii-po-ekspluatácii-kondicionerov.html>

каталоги, инструкции, сервисные мануалы, схемы.

**MODEL:  
AC-CA40CG**

---

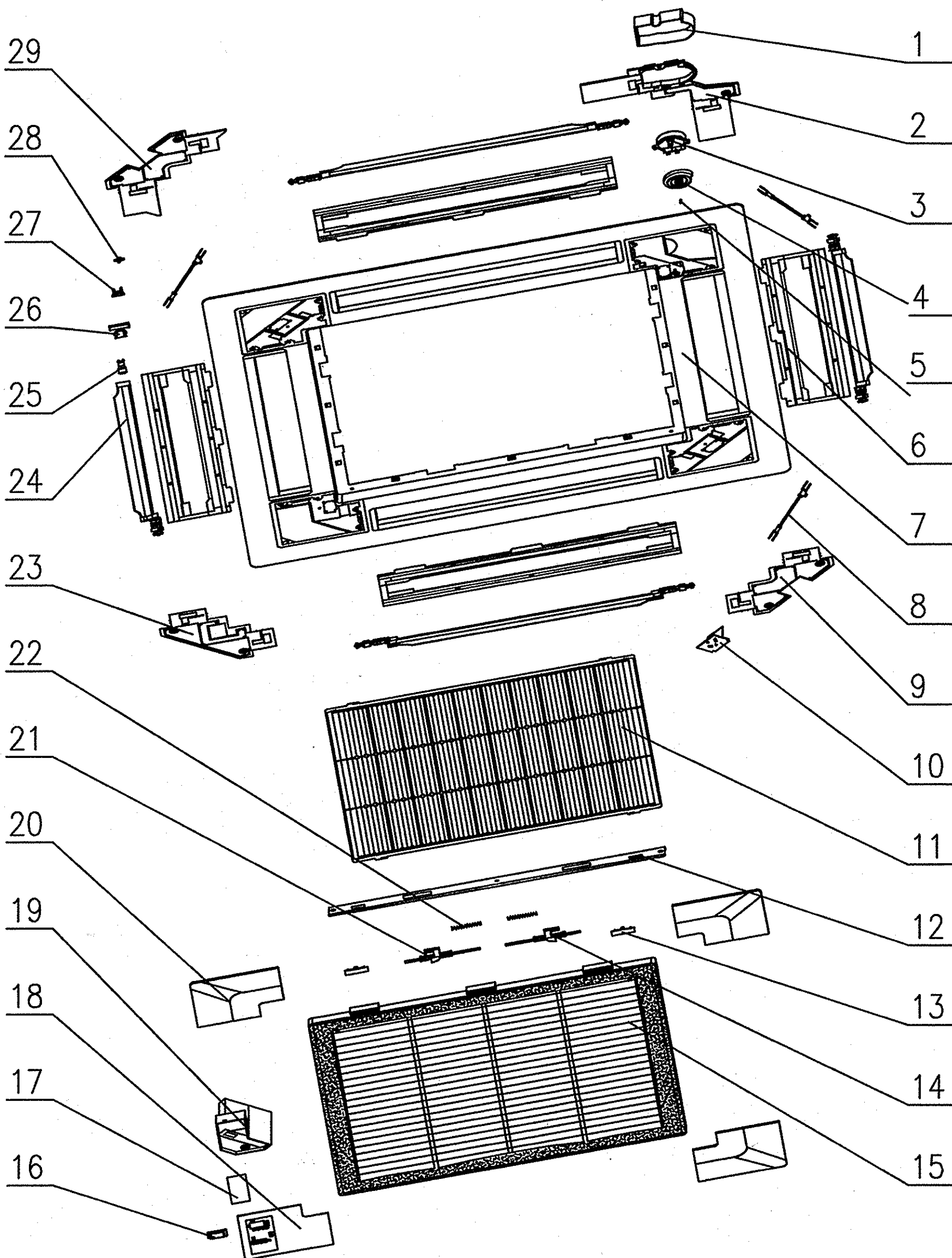
Model No.: AC-CA40CG  
Version: 1.0

## CONTENTS

EXPLODED VIEW & PART LIST.....	4
CIRCUIT DIAGRAM.....	10

## EXPLODED VIEW & PART LIST

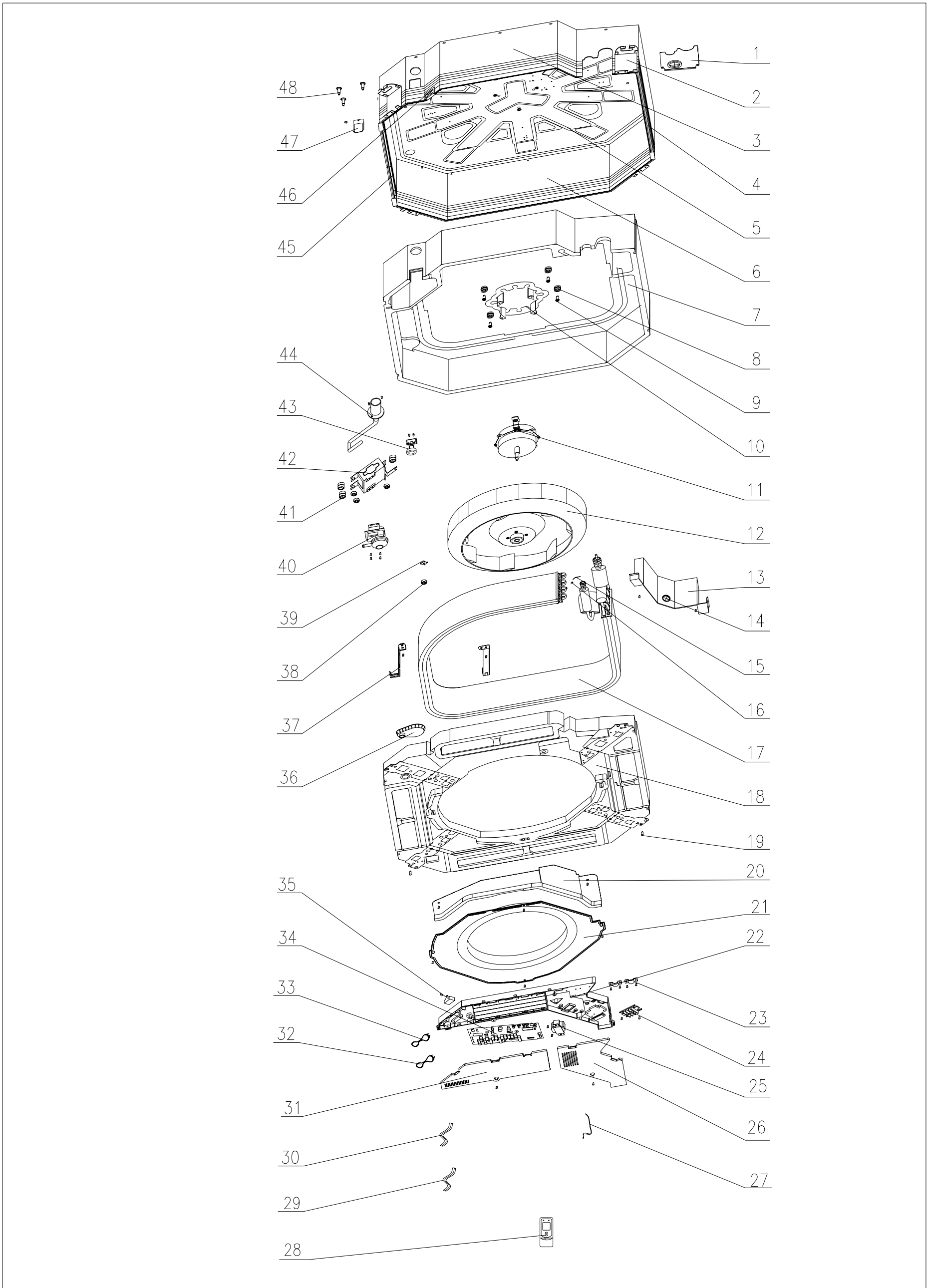
Front panel view



**Part list for front cover**

No	Part name	Qty
1	Motor cover	1
2	Inner conner cover IV	1
3	Synchronous motor	1
4	Motor holder	1
5	Pin 3x4	1
6	Air outlet foam	4
7	Front panel	1
8	Connecting lever	3
9	Inner conner cover III	1
10	Hanging ring	4
11	Filter	1
12	Fixing plate of net hook	1
13	Net Hook	2
14	Right clamp	1
15	Air inlet Grille	1
16	Receiving window	1
17	Receiver board KJ	1
18	Outer conner cover II	1
19	Cover of receiving window	1
20	Outer conner cover I	3
21	Left clamp	1
22	Spring	2
23	Inner conner cover II	1
24	Air guider Assy	4
25	Crank	8
26	Positioning holder	8
27	Universal joint	8
28	Gimbal	6
29	Inner conner cover I	1

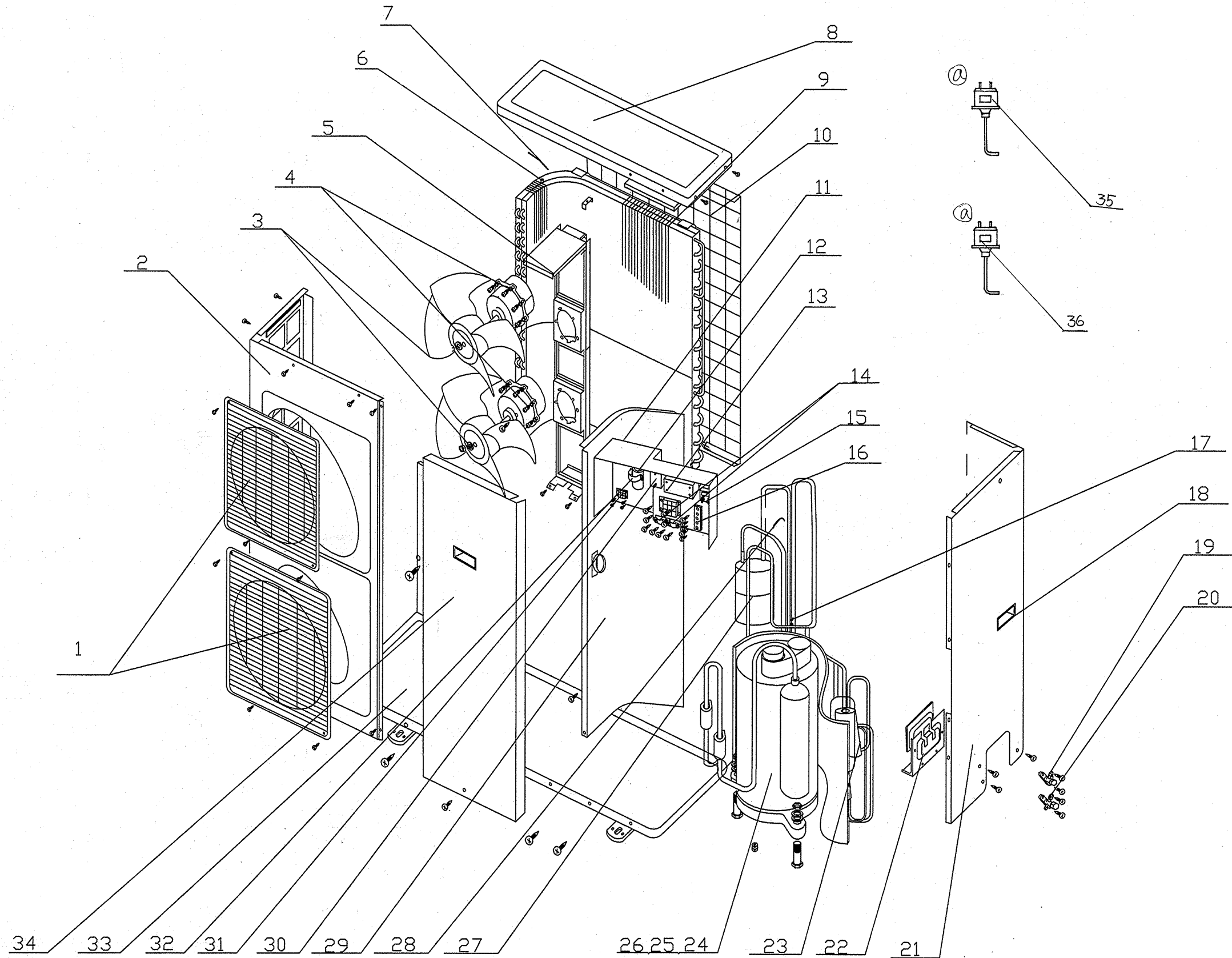
**Indoor Unit**



**Part list for Indoor unit**

No	Part name	Qty
1	Tube exit plate	1
2	Body fixed plate	4
3	Front side plate	1
4	Left side plate	1
5	Base plate	1
6	Rear side plate	1
7	Bottom foam	1
8	Motor gasket	4
9	Bolt	4
10	Motor support	1
11	Motor FN50T	1
12	Centifugal fan Ø476 x 169.5	1
13	Evaporator linkage	1
14	Cable-cross loop	1
15	Tube sensor	1
16	Sensor insert B	1
17	Evaporator assy	1
18	Water tray assy	1
19	Rubber stem	1
20	Electric base plate	1
21	Flow guide loop	1
22	Electric box	1
23	Wire clamp	2
24	Terminal board T360B	1
25	Transformer	1
26	Electric box cover I	1
27	Room sensor	1
28	Remote controller	1
29	Signal cable	1
30	Signal cable	1
31	Electric box cover II	1
32	Power cord	1
33	Power cord	1
34	Main PCB 6051	1
35	Capacitor CBB61 4.5uF/450V	1
36	Drainage plastic	1
37	Evap support	1
38	Nut with washer M6	1
39	Fan fixer	1
40	Water pump	1
41	Pump gasket	3
42	Pump support	1
43	Water level switch	1
44	Pump drain pipe	1
45	Right side plate	1
46	Cable-cross block	1
47	Pump cover plate	1
48	Bolt	3

**Outdoor view**



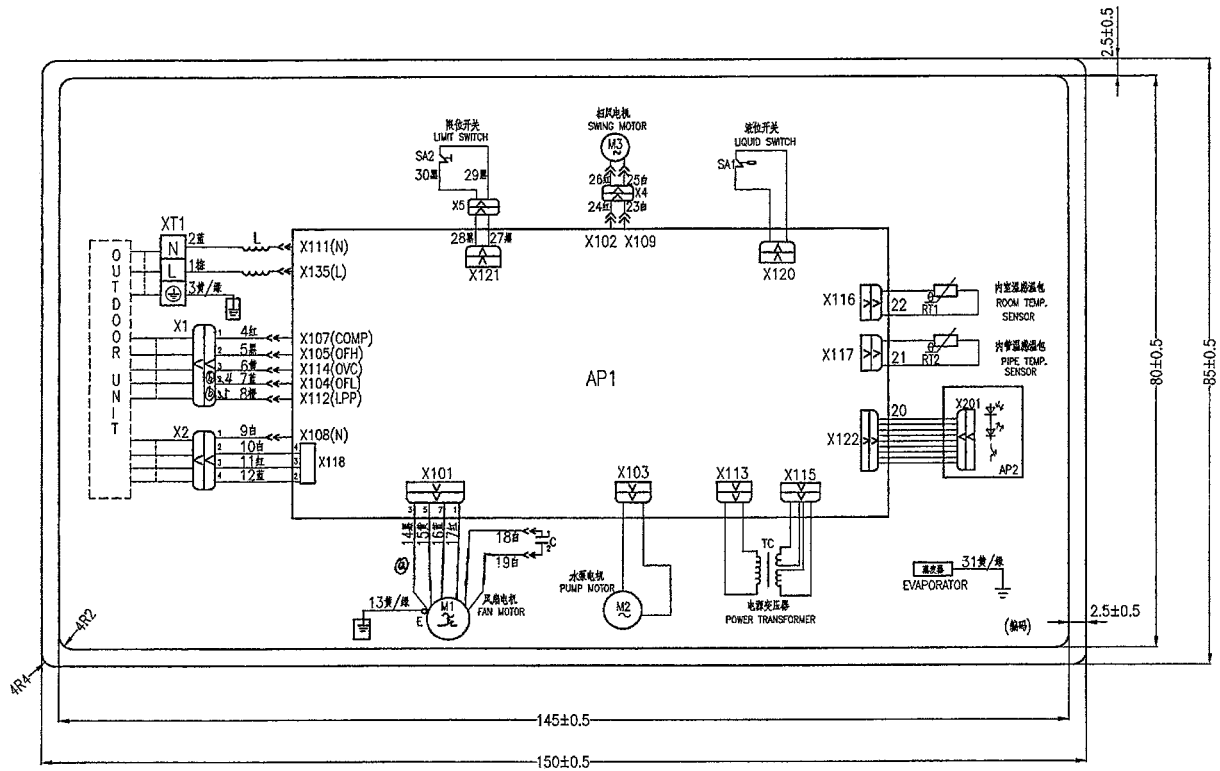


**Part list for outdoor unit**

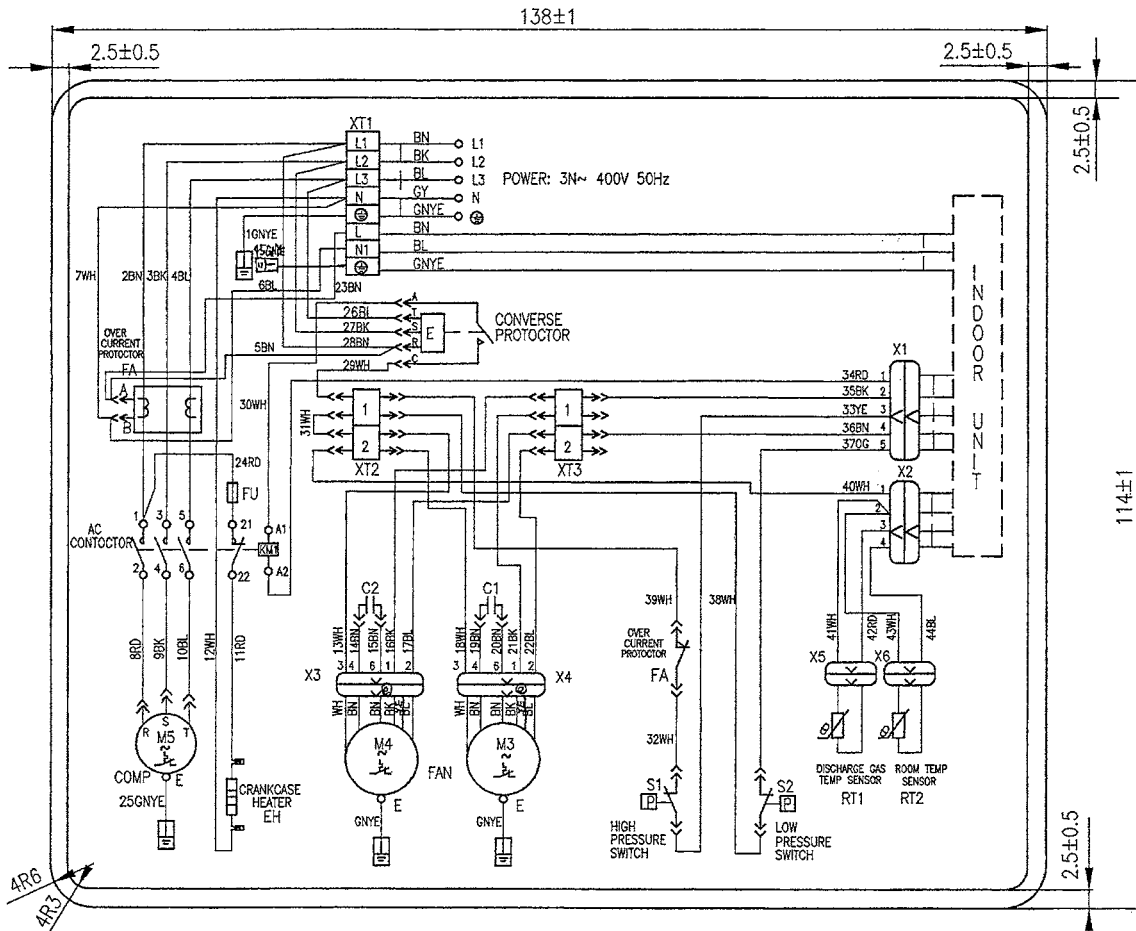
No	Part name	Qty
1	Front grill	1
2	Front plate	1
3	Axial flow fan	2
4	Motor FW68T	2
5	Motor support	1
6	Temp sensor support	1
7	Ambient sensor	1
8	Condenser assy	1
9	Top cover	1
10	Rear grill	1
11	Electric plate	1
12	Capacitor CBB61 3uF/450V	2
13	AC contactor GC3-18/01KK/3TF4211	1
14	Wire clamp	2
15	Terminal board T8FOA	1
16	Terminal board 2-8	1
17	Sensor insert E	1
18	Handle	3
19	Gas valve assy	1
20	Liquid valve assy	1
21	Rear side plate	1
22	Valve support	1
23	Capillary assy	1
24	Compressor C-SB303H8A	1
25	Overload protector	-
26	Compressor gasket M-0101-DSB	4
27	Gas-liquid separator	1
28	Tube sensor	1
29	Clap board	1
30	Phase reverse protector	1
31	Over current protector 10.3A/UO-10-10	1
32	Capacitor clamp	1
33	Metal base	1
34	Front side plate	1
35	Low pressure switch	1
36	Pressure protect switch	1

# CIRCUIT DIAGRAM

## OUTDOOR UNIT



**INDOOR UNIT**





**Большая библиотека технической документации**

<https://splitsystema48.ru/instrukcii-po-ekspluatacii-kondicionerov.html>

**каталоги, инструкции, сервисные мануалы, схемы.**